

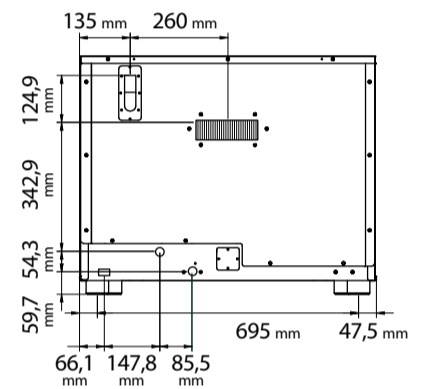
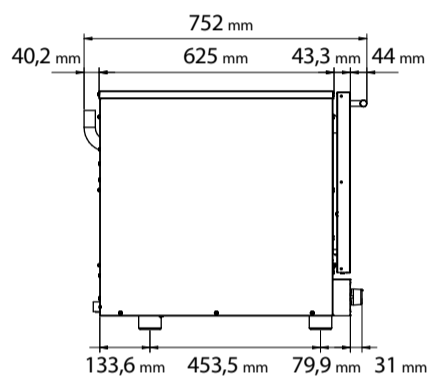
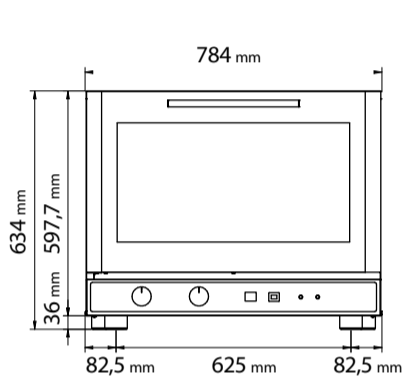
EKF 411.3 GRILL



ELECTRIC CONVECTION OVEN WITH GRILL AND HUMIDIFICATION



The electric grilling is a simple and healthy cooking method, which allows you to cook without fat all those foods that typically are prepared grilled. The GRILL functions of this oven 1/1 GN shortens the cooking time of the foods enhancing the browning and the fragrance of the same.



DIMENSIONAL FEATURES

Oven dimensions (WxDxH mm)	784	752	634
Oven weight (kg)	52		
Distance between rack rails (mm)	73		

ELECTRICAL FEATURES

Power supply (kW)	5,2
Frequency (Hz)	50/60
Voltage (Volt)	AC 380/400 2N
N° of motors	2 Unidirectional
Boiler	/
Protection against water	IPX3

EQUIPMENT

Cardboard box dimensions with pallet (WxDxH mm)	805	830	800
Lateral supports	1 right + 1 left		
Cable	Two-phase [4G 2,5] - L=1600 mm		

PLUS

Stainless steel cooking chamber
Door with inspectionable glass
Quick fastening of lateral supports
Embedded gasket
Stackable
Forced cooling system of inner parts
IPX 3
New design of cooking chamber
CB certification
New design of handle

FUNCTIONAL FEATURES

Power	Electricity
Capacity	N° 4 trays/grids 1/1 GN
Type of cooking	Ventilated
Humidification	Indirect with button
Cooking chamber	AISI 430 Stainless steel
Temperature	50 ÷ 300°C
Temperature control	Thermostat
Control panel	Electromechanic - Lower side
N° of programs	/
Programmable cooking steps	/
Pre-heating temperature	/
Pre-heating function	/
Door	Tilt door Ventilated Inspectionable glass

OPTIONAL

Kit for overlapping ovens	Cod. EKKM4
Chromed grid 1/1 GN	Cod. KG9G
AISI 304 vertical chicken cooking pan (for 8 pcs)	Cod. KGP
Fat drip pan for chicken grids	Cod. EKT11RG/A
AISI 304 tray 1/1 GN (530x325x40mm)	Cod. KT9G
Table	Cod. EKT 411 - Cod. EKTR 411 Cod. EKTS 411 - Cod. EKTRS 411 Cod. EKT 411 D

