



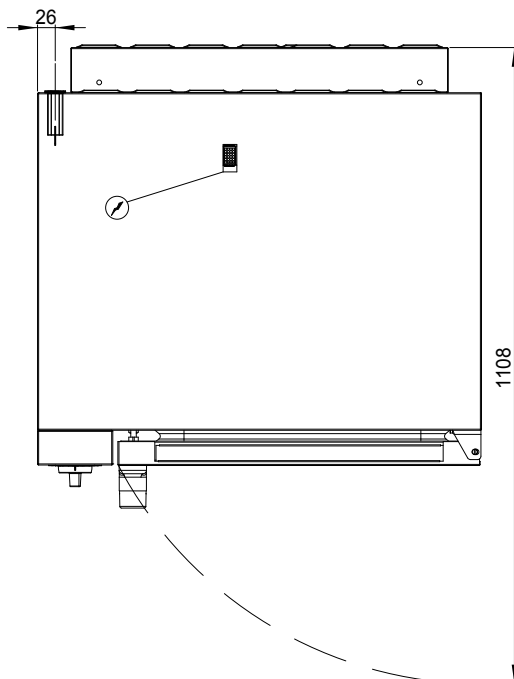
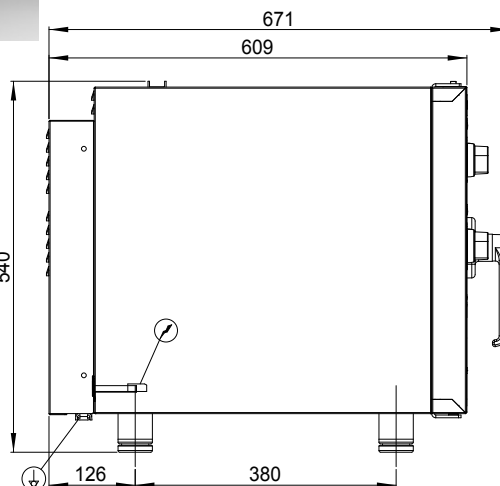
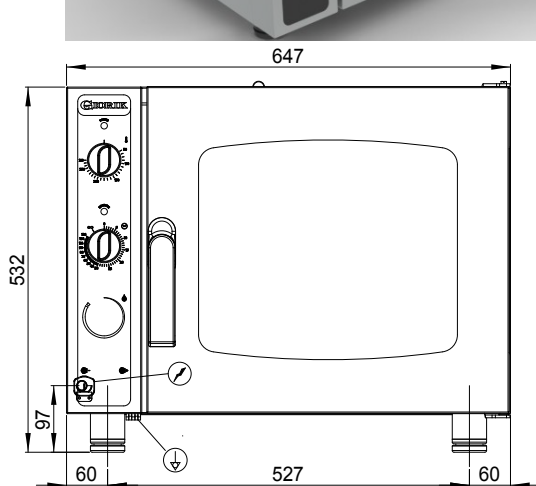
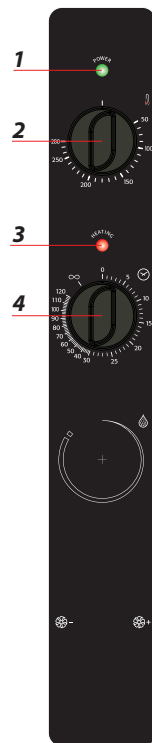
ME423

ELECTRIC OVEN 4 (2/3 GN) CONVECTION ELECTROMECHANICAL CONTROL WITHOUT HUMIDIFIER

- Oven chamber heating by means of high-performance INCOLOY heating elements.
- Aisi 304 oven chamber with rounded corners.
- Reversing motor rotation for even cooking.
- Interior light.
- Double-glazed ventilated door, panels can be opened for easy cleaning.
- Height-adjustable feet.
- 2 speed fan.



- 1** Power-on light.
- 2** Temperature control from 50°C to 280°C.
- 3** Heating-on light.
- 4** On/Off switch. Time control from 1' to 120'+ infinite position.



TECHINICAL DATA

- Dimensions: **647x609x532 mm**
- Volume: **0,21 m³**
- Weight: **40 Kg**
- Chamber capacity: **4x(2/3 GN)**
- Distance between layers: **70 mm**
- Net dimension of oven cavity: **397x350x380 mm (LxHxP)**
- Oven cavity power: **2,5 kW**
- Total electric power: **2,6 kW**
- Power supply voltage: **1N 230V AC-50Hz**