



## TECHNICAL FEATURES

- Heating of cooking chamber with high performance INCOLOY heating elements.
- Rapid chamber ventilation system.
- Inverter-controlled fan with 6 different speeds.
- Immediate shutdown of the fan rotation by opening the door.
- Steam production by INSTANT mode.
- Super Steam: two different humidity levels
- USB port for uploading and saving recipes and for firmware updating.
- Double-glazed ventilated door (panels can be opened for easy cleaning).
- Cooking chamber lighting with LED.
- AISI 304 cooking chamber with coved corners.
- Height adjustable feet.
- Single control by means of just one jog/dial encoder knob.
- Motorised vent valve opening.

## STANDARD EQUIPMENT

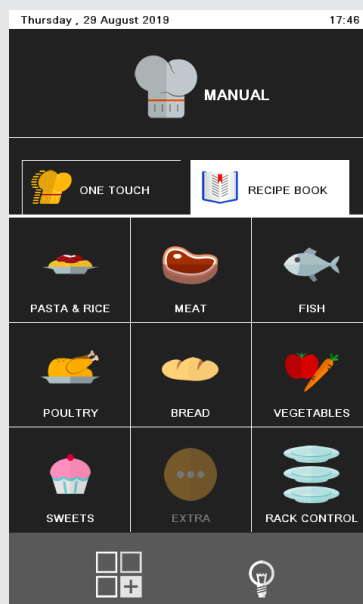
- Automatic washing system (Liquid detergent)
- Wi-Fi

## OPTIONS:

- Core probe 6000124
- Retractable hand shower
- Left hinged door (or request).

## USER INTERFACE:

### TOUCH SCREEN PANEL 7"



- Temperature control from 50° to 300°C.
- Time control from 1'to120'; infinite function.
- Cooking modes: convection, steam, combi convection/steam.
- Preset cooking programmes. Possibility of controlling 9 cooking phases for each programme.
- "One Touch" cooking mode: immediate start of the cooking cycle with "one touch programs".
- Delta T cooking.
- Cooking with probe.
- Multi level cooking with "Easy service".
- Recipe tuner
- Super Steam.
- Cooldown during cooking.
- Hold function.
- Regeneration function.

## OneTouch

To start with a single move the preferred recipes selected and memorized by him with the icon and the name he prefers.

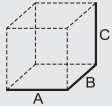
## RecipeTuner

The RecipeTuner interface makes it possible to modify and personalise the various programs simply and intuitively. RecipeTuner changes according to the type of cooking set, to regulate cooking, browning, degree of humidity and of leavening.

## EasyService

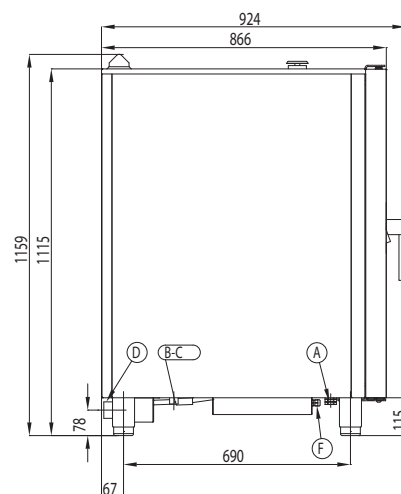
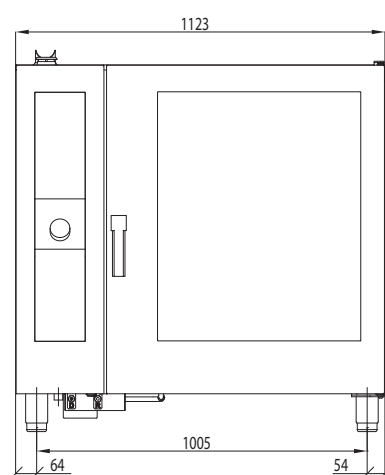
level control cooking

The new Rack Control enables different dishes to be cooked at the same time at various levels. What's more, with EasyService, a new Rack Control function, all the dishes can be served at the same time.

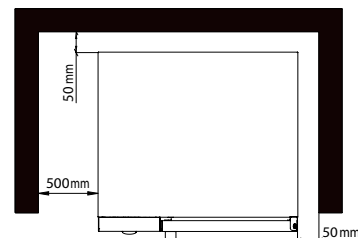
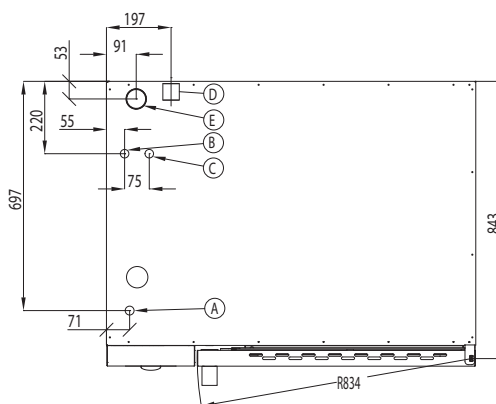
 (A x B x C) cm	<b>VOL./PESO</b> Vol./Weight  m <sup>3</sup> /kg	<b>VAC</b> 400V-3N 50/60 Hz  kW	<b>POTENZA EL. CAMERA</b> Oven cavity el. power  kW	<b>DISTANZA TRA LE TEGLIE</b> Distance between the layers  mm	<b>DIM. CAMERA</b> Cavity net dimension  mm
112x84,5x111,5 <b>10 GN 2/1</b>	1,34 / 220	25,8	25	70	637x730x750

## ACCESSORIES

- Stand TSB12
- Racks for stand TSB12 cod. 2019770
- Neutral cupboards TAN0821
- Stacking kit on demand



- A Electrical power inlet
- B Softened water inlet (G3/4)
- D Drain connection(Ø50)
- E Cavity Vent (Ø60)
- F Detergent and rinse aid inlet



\* Clearance requirements

## WATER QUALITY REQUIREMENTS

Hardness ..... 60-100 ppm  
 TDS ..... <100 mg/L  
 PH Value ..... 7.0-8.0  
 Cl<sub>2</sub> Free chlorine..... <0,5 mg/L  
 Cl Chloride..... <20 mg/L  
 Alkalinity..... <20 mg/L  
 SiO<sub>2</sub> Silica..... <10 mg/L

## NOTE

\* Drain line must be vented

## INSTALLATION REQUIREMENTS

The installation of gas ovens requires the analysis of combustion fumes, otherwise the warranty will be void. In addition, all installations (gas or electric) must always be adapted to local electrical systems and regulations on ventilation and plumbing connections.

## WATER REQUIREMENTS and WATER CONNECTION

The following indicators may determine the validity or otherwise of the warranty.

Failure to comply with the minimum water requirements may cause corrosion and oxidation or technical problems, which can then cause a rapid decline in the performance and reliability of the appliances used to cook food.

The buyer is responsible for the water treatment procedures and must ensure that the incoming water meets the requirements tested and approved by Giorik below.

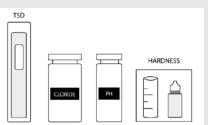
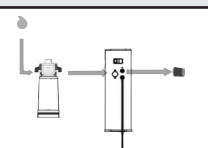

### INCOMING WATER

Pressure (recommended)	1.5-3 bar ( 150-300 kPa)
PH	7.0-8.5
TDS (fixed residue)	40-150 mg/L)
Hardness (CaCO <sub>3</sub> )	3°f - 9°f (30-90 ppm; 1.5-5°d)
Langelier index	> 0.5

### METAL SALT AND ION CONTENT



Cl Chlorides	< 20 mg/L
Sulphates + Nitrates	< 20 mg/L
Cl <sub>2</sub> Chlorine free	< 0.1 mg/L
Chloramines	< 0.5 mg/L
Iron	< 0.1 mg/L
SiO <sub>2</sub> Total Silica	< 10 mg/L

## ACCESSORIES FOR WATER TESTING AND TREATMENT

	<b>2027717</b>	<b>WATER ANALYSIS KIT</b> Contains: conductivity meter, hardness test, 50 strips for pH testing and 40 strips for chloride testing
	<b>7080556</b>	<b>COMPLETE REVERSE OSMOSIS SYSTEM</b> Reverse osmosis system for obtaining pure water with almost complete separation of dissolved minerals, salts and other interfering substances. The chlorine filter and a storage tank are also included.
	<b>7080558</b>	<b>LIMESCALE FILTRATION SYSTEM</b> Filtration system for the optimisation of drinking water for the food and beverage sector. Reduces calcium, magnesium, unpleasant odours and chlorine. Composed of cartridge + head

## DETERGENTS

In case of use of products for automatic oven washing other than official GIORIK products or in any case products approved by the manufacturer, the warranty will be considered void. Giorik cleaning products have in fact been developed and tested for Giorik ovens, and only if these are used is it possible to guarantee an adequate level of cleaning and an optimal life cycle for the oven and its components.

	<b>7080542</b>	<b>GIORIK DEGREASE and RINSE 2 in 1</b> 2 in 1 degreasing detergent and rinse aid for ovens with automatic washing
	<b>7080533</b>	** GIORIK BOILER DESCALER - Only for Ovens with Boiler
	<b>7080537</b>	DETERGENT AND DEGREASER for manual cleaning
	<b>7080536</b>	**TABS - Only for ovens with closed loop wash Evolution H and Kore B-I